

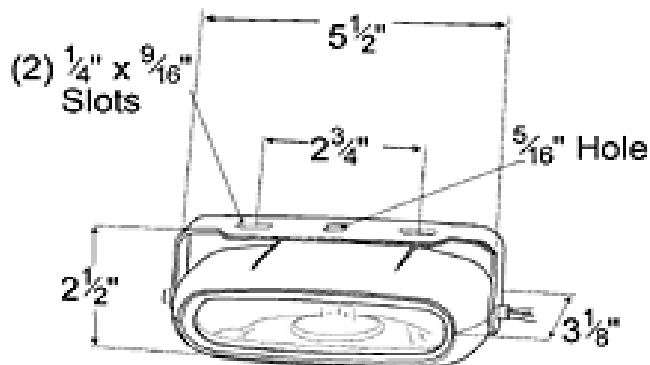
MACARTHUR

TRUCK & TRAILER

*The Truckers Hardware Store
& Service Centre*

Grote

THE FIRST NAME
IN VEHICLE SAFETY SYSTEMS



PRODUCT NUMBER

64371-5 - Clear Fog Lamp Kit

FEATURES & BENEFITS

- Powerful bulb and multi-surface reflector design
- Quick and easy to install
- Ion coated lens
- Kit includes pair lamps, wiring, switch, and instructions

TECHNICAL SPECIFICATIONS

Material: Diecast Aluminum

FMVSS SAE Code: F

Finish: Black

Bulb: #H3

Voltage Amp: 12.8 V - 4.30 AMP - 55 Watt

Lens: 93131

\$46.20 per Set

1240 Highland Avenue
Brandon, Manitoba R7C 1A7
Toll Free 1-800-665-6317
Phone (204) 728-6681
Fax (204) 726-8457
www.macarthurtruck.com